



KONICA MINOLTA

MINIMISE ALL. MAXIMISE ALL.

bizhub PRO

951



Giving Shape to Ideas

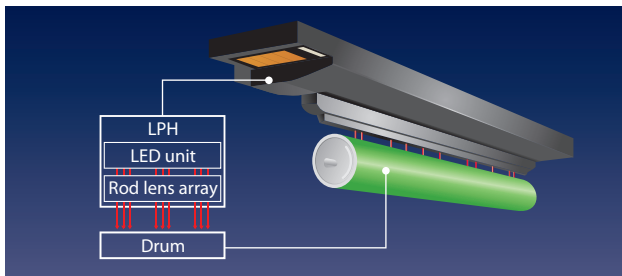
Monochrome on-demand at a higher level



True 1,200 dpi resolution through advanced image quality technologies

LED Print Head for 1,200 dpi high resolution outputs

The bizhub PRO951 achieves true 1,200dpi resolution outputs thanks to the LED Print Head (LPH) which offers clearer reproduction of small text and more screen lines for smoother halftones.



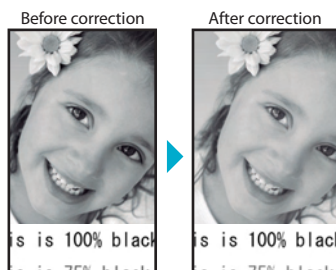
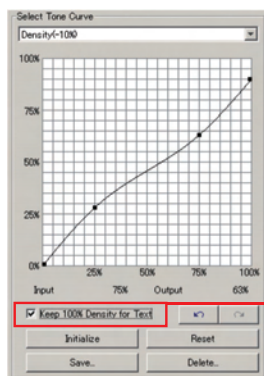
High quality reproduction and low temperature fixing with Simitri HD toner

Konica Minolta's Simitri HD polymerised toner uses smaller and more consistently shaped particles for superior quality reproductions. Low-temperature fixing helps reduce paper curls while saving energy at the same time.

Simitri HD
High Definition Polymerized Toner

Tone curve utility

Fine tune brightness and contrast before printing without a dedicated software. Tone curve utility corrects these without affecting the density of text for true professional results.



Maintaining 100% density for text
100% density can be maintained for text without affecting the correction results of the tone curve.

Other functions

- Halftone noise reduction
- Advanced technologies that control uneven densities caused by differences in document and developing conditions
- Ozone concentration reduction of band electrode
- Belt transfer system for improved transferred image quality and paper feeding

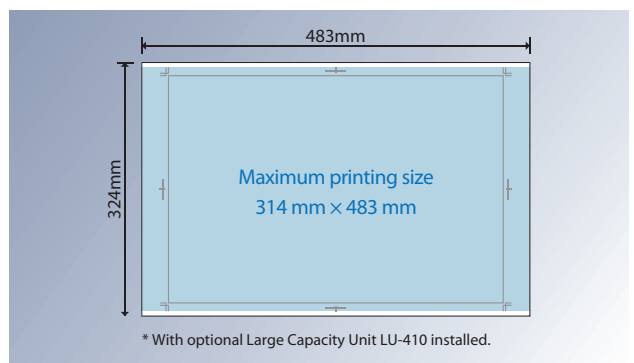


Expanded paper handling

Full A3 outputs (19 inches) including crop marks

Achieve full A3 outputs including crop marks with the optional Paper Feeder Unit PF-706 and Large Capacity Unit LU-410. The maximum paper size in the sub scanning direction can be extended to 19 inches (483 mm). Even 324 mm x 483 mm irregular size paper can be used providing a maximum printable area of 314 mm x 483 mm*.

* With optional Large Capacity Unit LU-410 installed.



* With optional Large Capacity Unit LU-410 installed.

Other functions

- Improved feeding for more paper types including 40 g/m² thin paper
- Max. 350 g/m² paper compatibility



Pursuit for higher efficiency

Register up to 256 types of paper with the Paper List (profile)

Make paper settings for each job quicker with the Paper List (profile). The bizhub PRO 951 can register up to 256 types of paper for immediate recall when needed. Paper size settings, air-blow settings* and paper conditions can also be individually registered for each paper tray.

* With the optional Paper Feeder Unit PF-706 and the Large Capacity Unit LU-410 installed. Excludes main unit trays.



- Common user interface with bizhub PRESS/PRO colour devices
- Large 15-inch touch panel screen

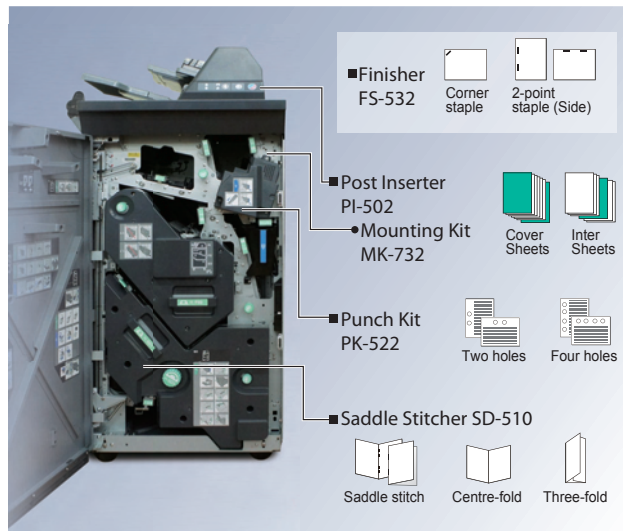


Productivity beyond its class

Compact all-in-one finisher FS-532

The FS-532 is an exceptional all-in-one finisher designed for both professional and entry-level operators, providing the flexibility to meet the varying finishing needs of customers. In addition to standard stapling, it can be equipped with the Post Inserter PI-502*, Punch Kit PK-522, and Saddle Stitcher with three-fold function SD-510.

* Optional Mount Kit MK-732 required with PI-502.



Large Capacity Units LU-409/LU-410 Paper Feed Unit PF-706

Minimise the downtime required for reloading paper. Large Capacity Units LU-409 and LU-410 hold up to 4,000 A4 sheets* and 4,000 A3 sheets* respectively, while the Paper Feeder Unit PF-706's 3-layer cassette holds up to 6,000 A3 sheets*. Together with the main unit's 3,000-sheet* capacity the bizhub PRO 951 holds up to 9,000 sheets so it can handle large print runs with ease.

* 80 g/m²

Standard	Option	Option	Option
Main unit tray	Large Capacity Unit LU-409	Large Capacity Unit LU-410	Paper Feeder Unit PF-706
3,000 sheets (1,500 sheets x 2)	4,500 sheets	4,000 sheets	6,000 sheets (2,000 sheets x 3)
40 to 300 g/m ²	40 to 300 g/m ²	40 to 300 g/m ²	40 to 350 g/m ² *
182x139 to 324x463 mm	250x176 to 314x229 mm	203x195 to 324x483 mm	95x139 to 324x463 mm (Using small size guides)

* Middle tray only (40 to 300 g/m² for the upper and lower trays).

Other options

- Z Folding Unit ZU-608
- Multi Punch GP-501*
- New Auto Ring Binder GP-502*

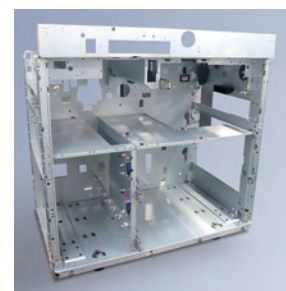
* Not available in all areas.



More durable, more reliable

Highly rigid frame and highly durable parts

The bizhub PRO 951 is built to withstand heavy and continuous use. The highly rigid frame with box-shaped dual-structured chassis prevents the main unit from vibrating and twisting for longer lasting performance.





High affinity and system expandability with office devices

Main unit authentication and IC card authentication

Reinforce information security with the main unit authentication which supports external servers such as Active Directory and centralised management of user information; and touch-type authentication using non-contact IC cards which only allows bizhub access with employee IDs.



Other functions

- LDAP support



Lower TCO and environmental impact

Use of recycled materials

Konica Minolta prioritises the use of materials and parts with low environmental impact for the bizhubs. Environmentally considerate recycled PC/PET and plant-based bioplastic are employed throughout the bizhub PRO 951.

Centralised management and TCO reduction

Numerous technologies to reduce waste, energy and unnecessary costs are employed throughout the bizhub PRO 951 without sacrificing quality and productivity. And centrally manage all of your output devices with PageScope Enterprise Suite for smoother operation.



bizhub PRO 951

PRO 951
B&W
95 ppm

Resolution
1,200
dpi

SRA3

IC-Card
Authentication*

USB
Print

Bioplastic

Recycled
PC/PET

Simitri HD
High Definition Polymerized Toner

*Optional

For more information please visit the bizhub Web site at

<http://www.biz.konicaminolta.com/production/951/index.html>



Product appearance, configuration and/or specifications are subject to change without notice. This product is not available for some countries or regions.



KONICA MINOLTA, the KONICA MINOLTA logo and symbol mark, "Giving Shape to Ideas", bizhub, bizhub PRO, bizhub PRESS, magicolor, PagePro, PageScope, Simitri, Simitri HD, Simitri HD+, Simitri with Biomass, Emperon, S.E.A.D., S.E.A.D.II, Printgroove and Konica Minolta Optimised Print Services and their respective logos are registered trademarks or trademarks of KONICA MINOLTA, INC. All other brands and product names are registered trademarks or trademarks of their respective companies or organisations.

Ecology & Environment

KONICA MINOLTA products are designed with the environment in mind.

- Energy Star
- Eco-friendly Toners
- RoHS Compliance
- Production at ISO Certified Factories
- WEEE Compliance

ISO15408 (EAL Level 3) Certification

These products comply with the security requirements of ISO15408 (EAL Level 3).

* The ISO 15408 certification applies only to IT security capabilities. This certification is NOT a product guarantee.



KONICA MINOLTA
OPTIMISED
PRINT SERVICES™

From consulting, system design, to operations, Konica Minolta offers total support to optimise your office output environment.

<http://www.biz.konicaminolta.com/services/ops>

⚠ Requirements for safe use

- Please read and follow the instruction manual to ensure safe operation.
- Only operate using appropriate power supply and voltage.
- Connecting the earth wire to an inappropriate place may cause explosion or electric shock. Please connect accordingly (Taiwan and the Philippines only).

KONICA MINOLTA, INC.

2-7-2 Marunouchi Chiyoda-ku, Tokyo, Japan
<http://www.biz.konicaminolta.com>